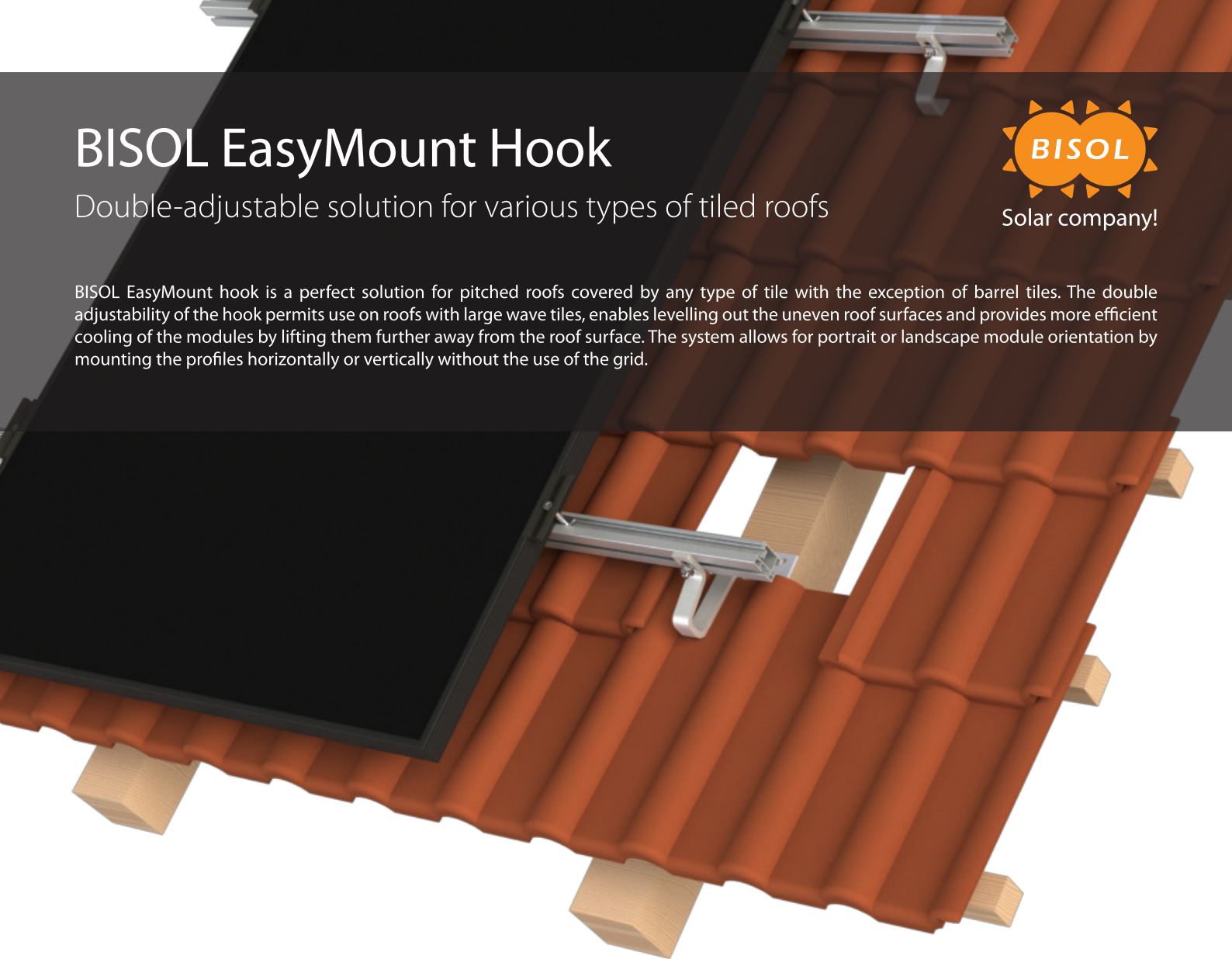


BISOL EasyMount Hook

Double-adjustable solution for various types of tiled roofs

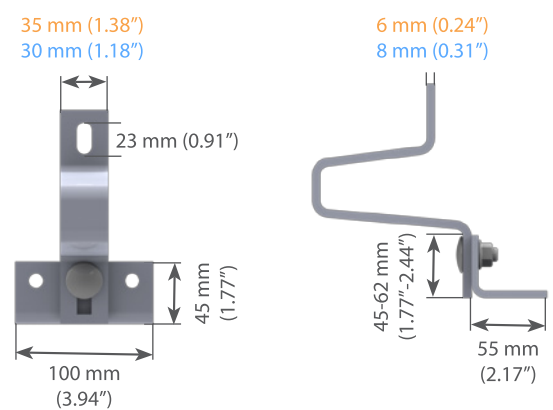


BISOL EasyMount hook is a perfect solution for pitched roofs covered by any type of tile with the exception of barrel tiles. The double adjustability of the hook permits use on roofs with large wave tiles, enables levelling out the uneven roof surfaces and provides more efficient cooling of the modules by lifting them further away from the roof surface. The system allows for portrait or landscape module orientation by mounting the profiles horizontally or vertically without the use of the grid.



Technical Specifications

Application	Any type of tiled roof (except for barrel tiles)
Roof incline	15 - 45°
Method of installation	Attached to rafters
Module orientation	Portrait or landscape
Module frame tolerances	Suitable for most framed module dimensions
Maximum load on hook	BISOL EasyMount hook 6-35: 100 kg (220 lbs) BISOL EasyMount hook 8-30: 180 kg (397 lbs)
Snow load per system	0 – 2.40 kN/m ² (with BISOL PV modules)
Wind load (velocity)	0 – 110 km/h (68 mph) / Wind zones 1, 2, 3
Material	Stainless steel 1.4301 (hook) / Stainless steel A2-70 (fastening elements) / Aluminum EN-AW 6063 T66 (Profile 50)
Height adjustability	162 – 194 mm (6.36"–7.64") from the rafter



■ BISOL EasyMount hook 6-35
■ BISOL EasyMount hook 8-30



10-year durability guarantee



Double height adjustable



Suitable for most tiled roofs



Landscape orientation without use of grid



Efficient cooling

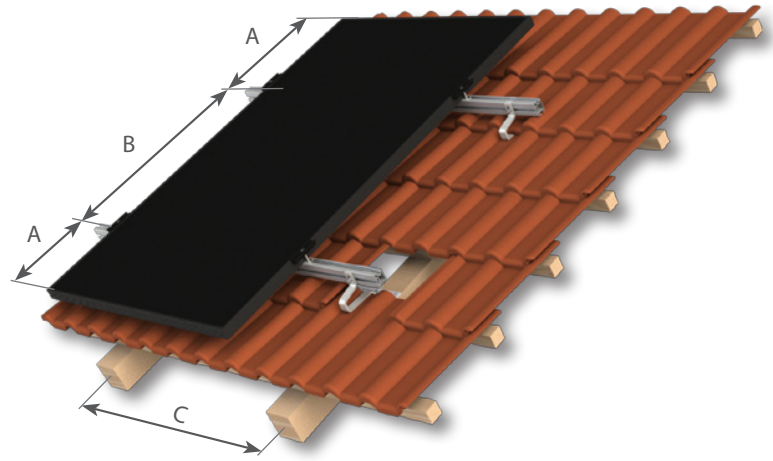


Levelling out uneven roof surfaces

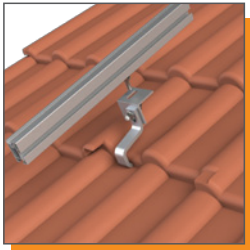
	Distance	
A	<40 cm (15.75")	
B	80 - 150 cm (31.50"-59.06")	

Spans between rafters			
C	≤200 cm (6'7")		85 cm ± 6.5 cm (33.5" ± 2.6")
Module orientation	Landscape	Portrait	Landscape
Solution	Profile 50' / Grid (Profile 50 + Profile 50)	Profile 50	Profile 50 + L-connector

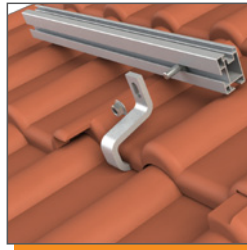
(1) For modules that can be mounted on the short frame side.



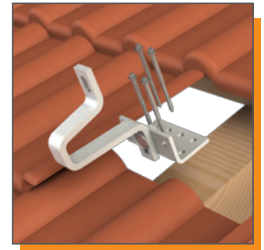
System Components



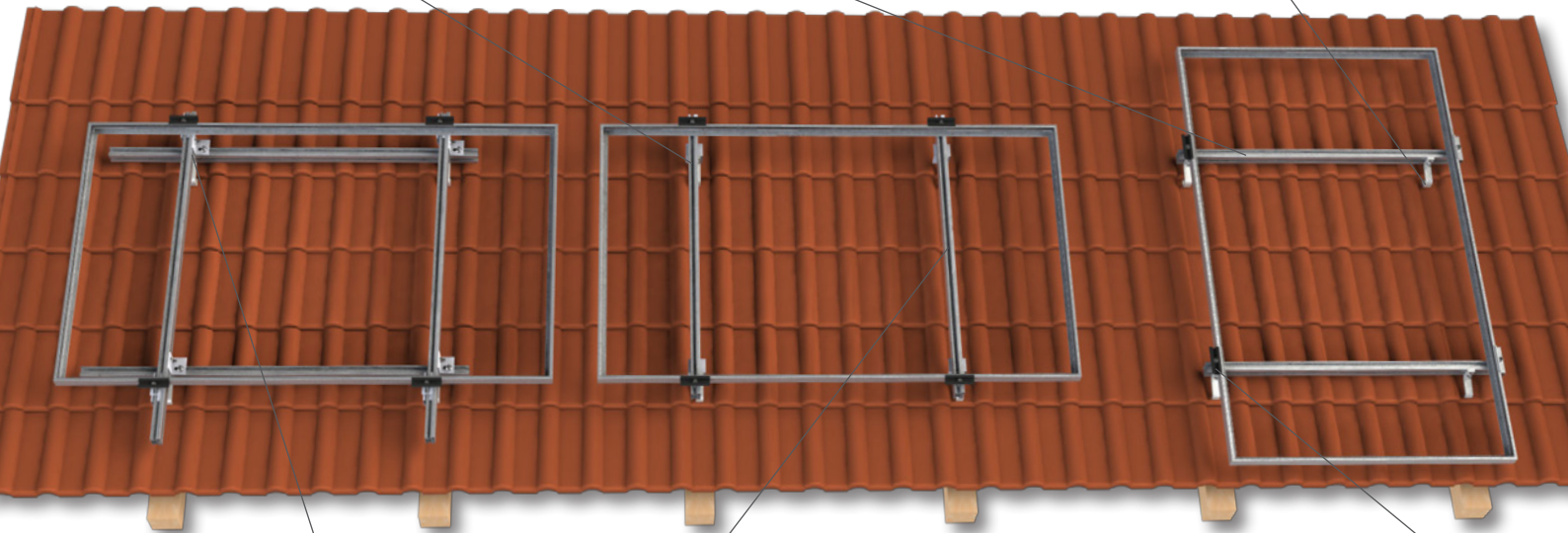
For landscape module orientation Profile 50 is mounted vertically on the Hook using BISOL EasyMount L-connector.



For portrait module orientation Profile 50 is mounted horizontally on the Hook.



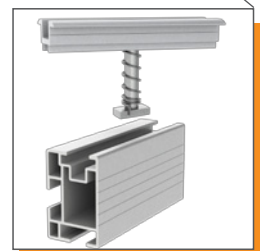
BISOL Hook is fixed to a rafter using four wood screws with EPDM washers.



For larger spans and landscape module orientation a grid is laid out by connecting two intersecting Profiles 50 with the L-connector.



U-connectors allow for the extension of Profiles 50.



Pre-assembled end and middle clamps are mounted on Profiles 50.